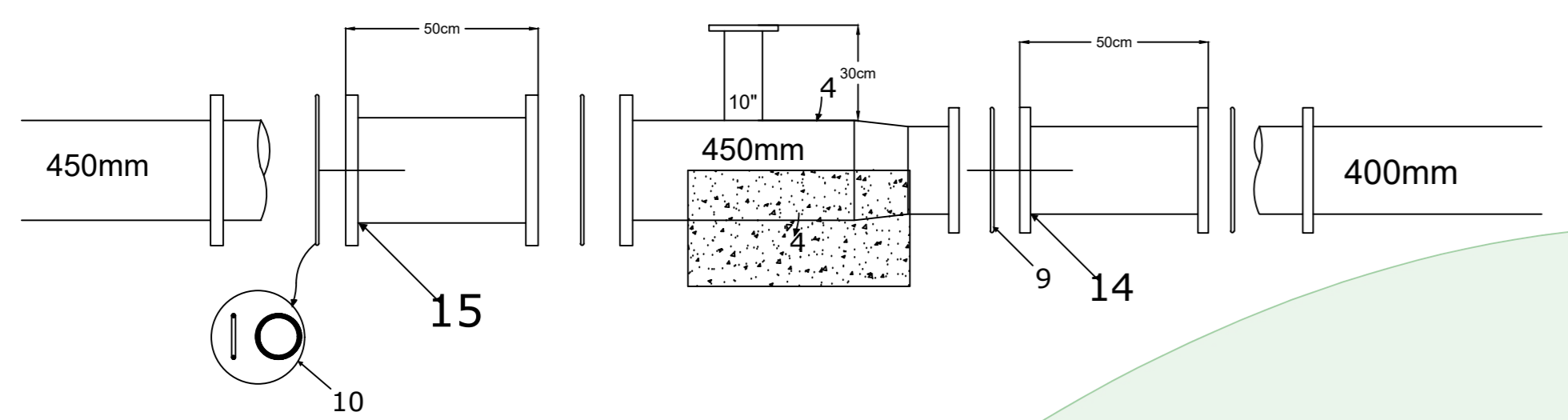
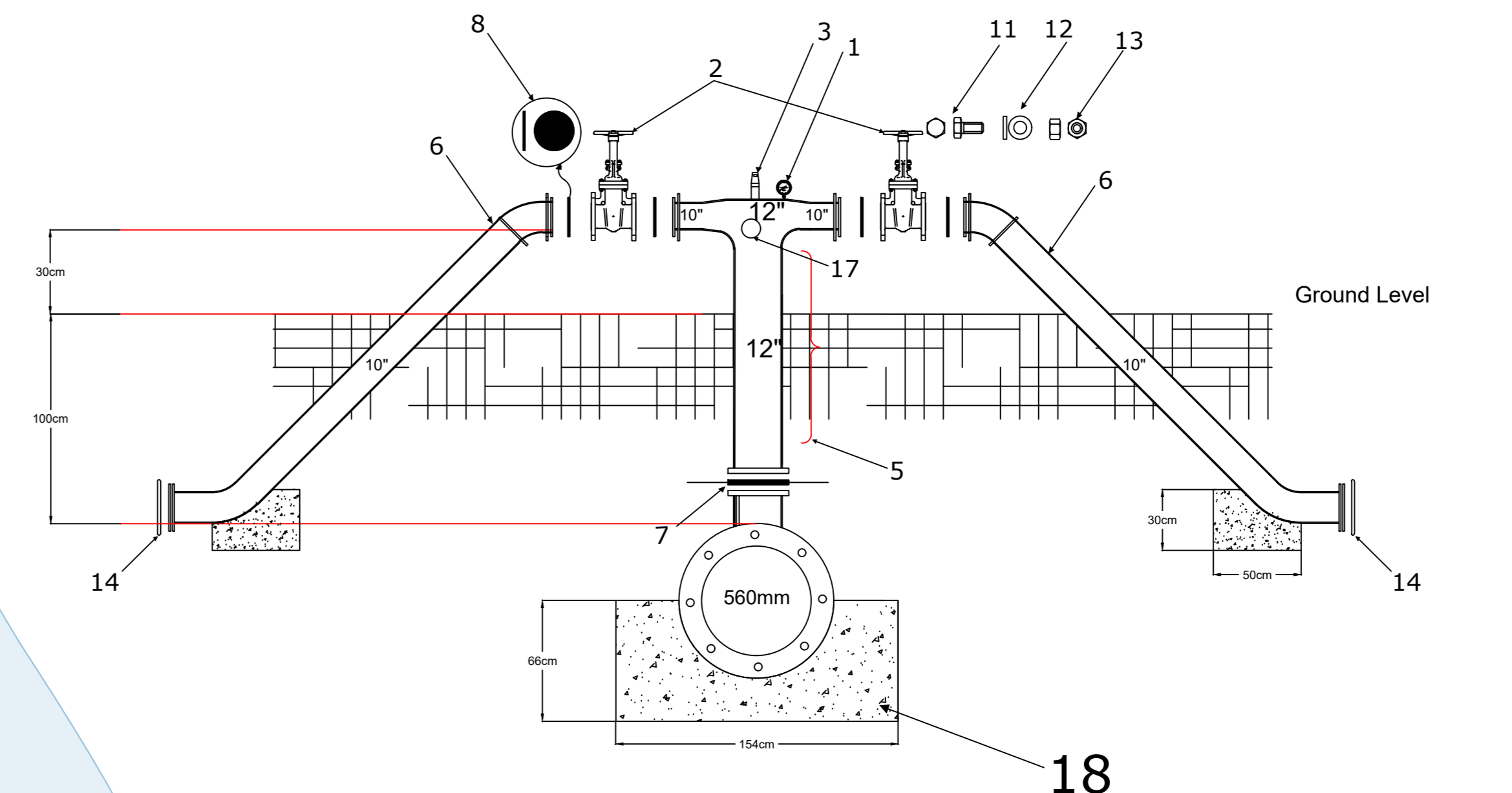


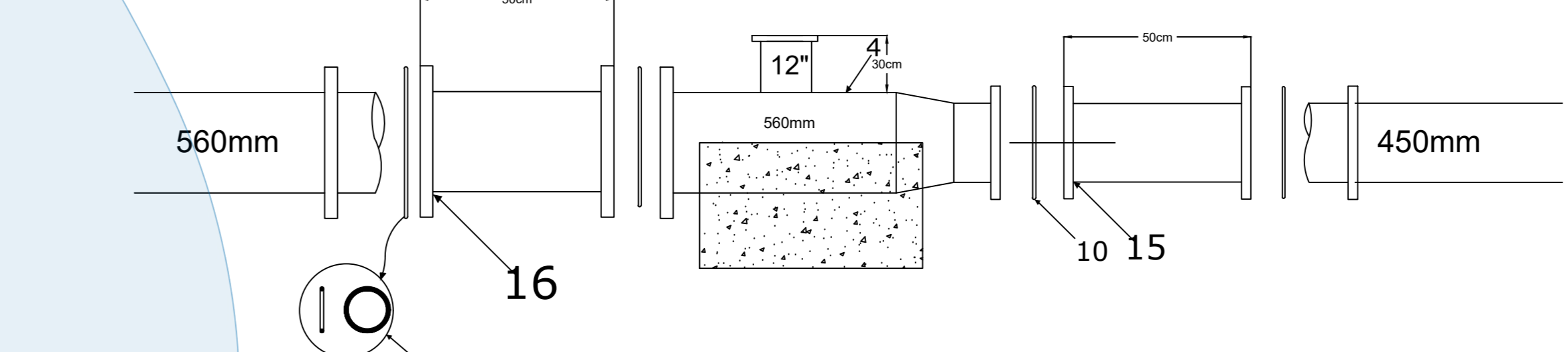
No.	Item
1	Pressure Gauge
2	Gate Valve
3	Air release valve 1"
4	Steel Tee
5	Riser 10"
6	Steel L
7	Flat rubber seal 10"
8	O-ring rubber seal 10"
9	O-ring rubber seal 16"
10	O-ring rubber seal 18"
11	Screws
12	Washer
13	Nut
14	Flange gibault 16"
15	Flange gibault 18"
16	Valve 2" with Bushing
17	Thrust block



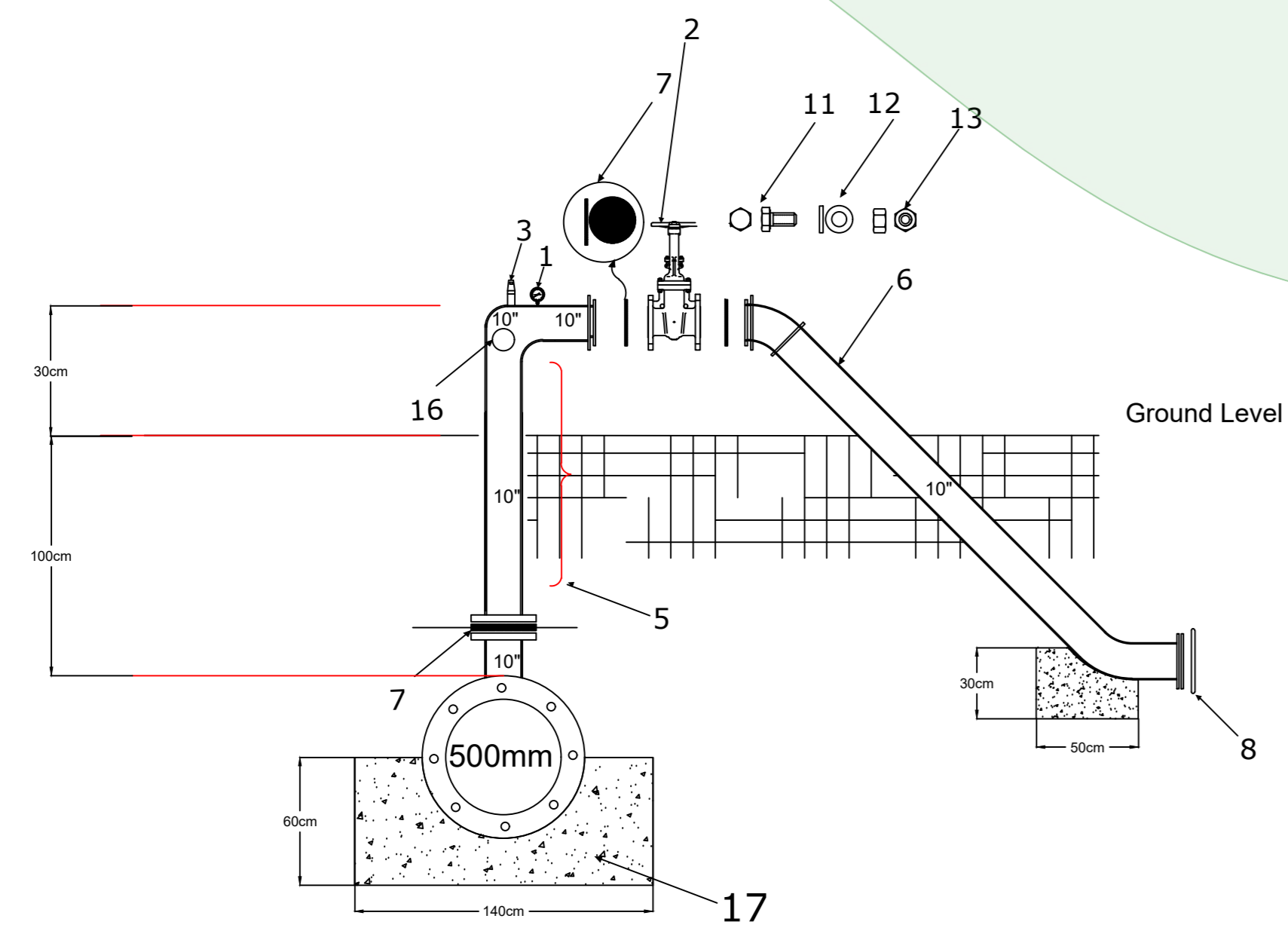
Detail E



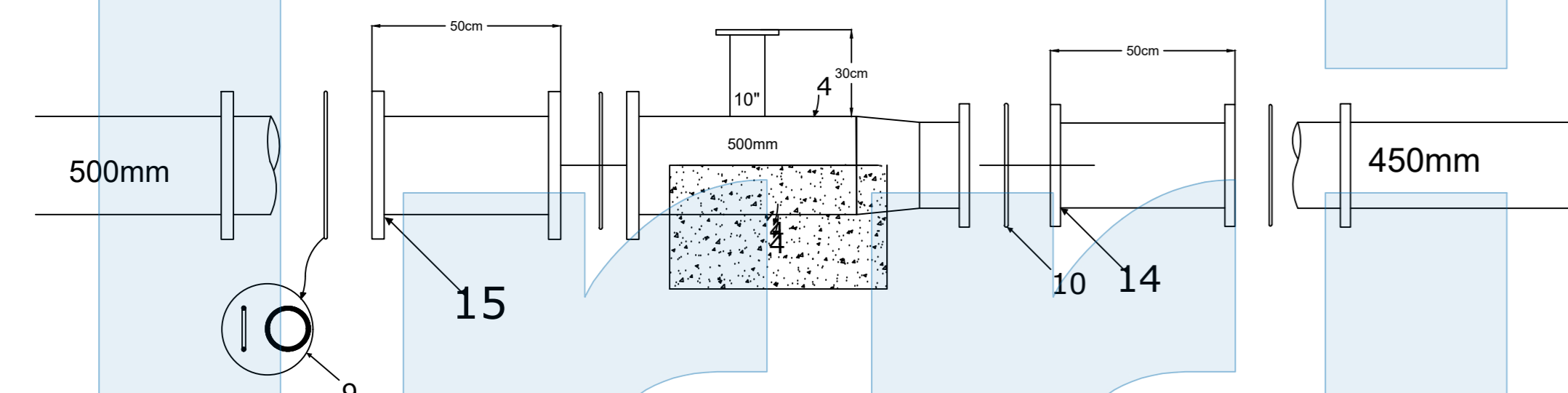
No.	Item
1	Pressure Gauge
2	Gate Valve
3	Air release valve 1"
4	Steel Tee
5	Riser 12"
6	Steel L
7	Flat rubber seal 12"
8	Flat rubber seal 10"
9	O-ring rubber seal 22"
10	O-ring rubber seal 18"
11	Screws
12	Washer
13	Nut
14	O-ring rubber seal 10"
15	Flange gibault 18"
16	Flange gibault 22"
17	Valve 2" with Bushing
18	Thrust block



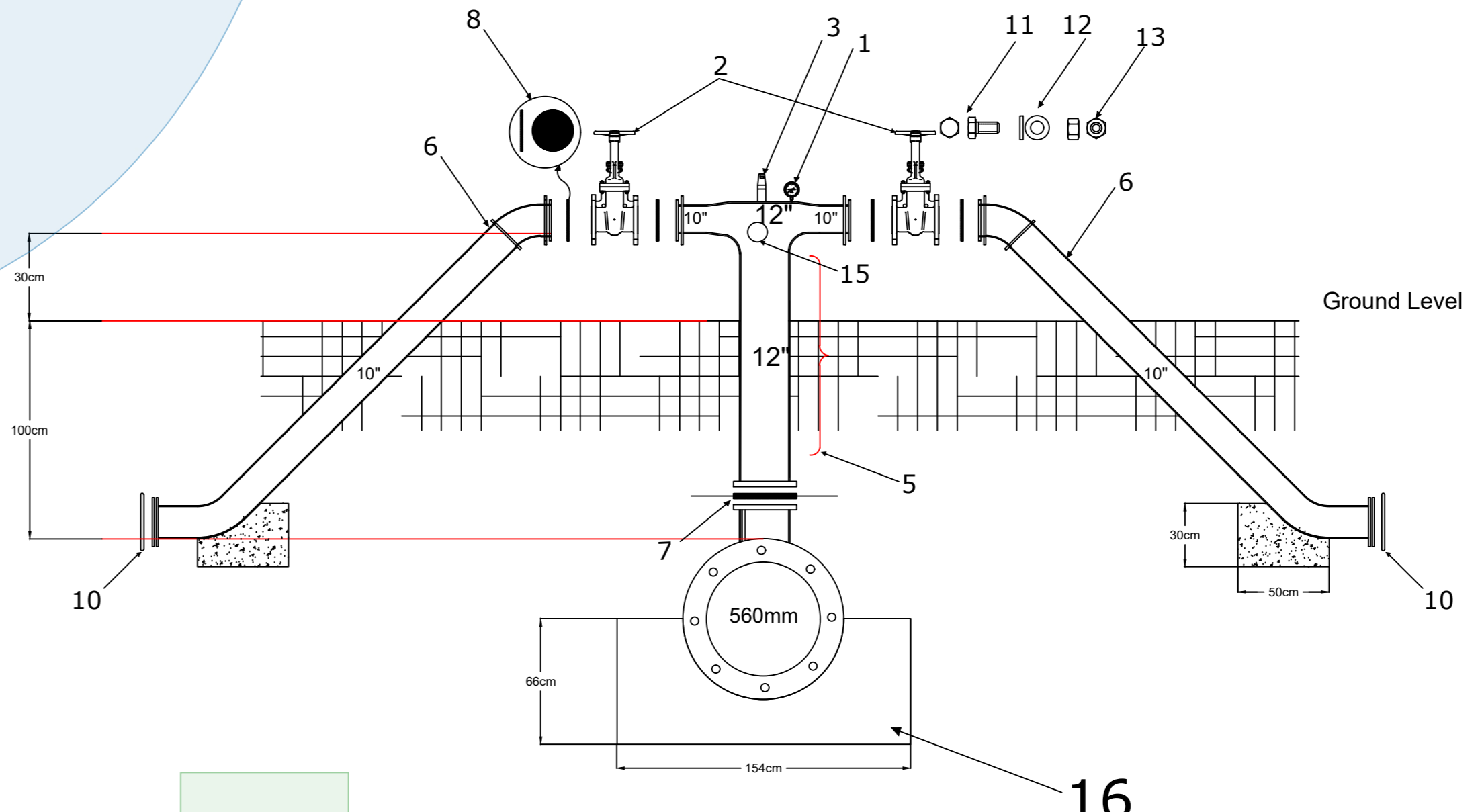
Detail G



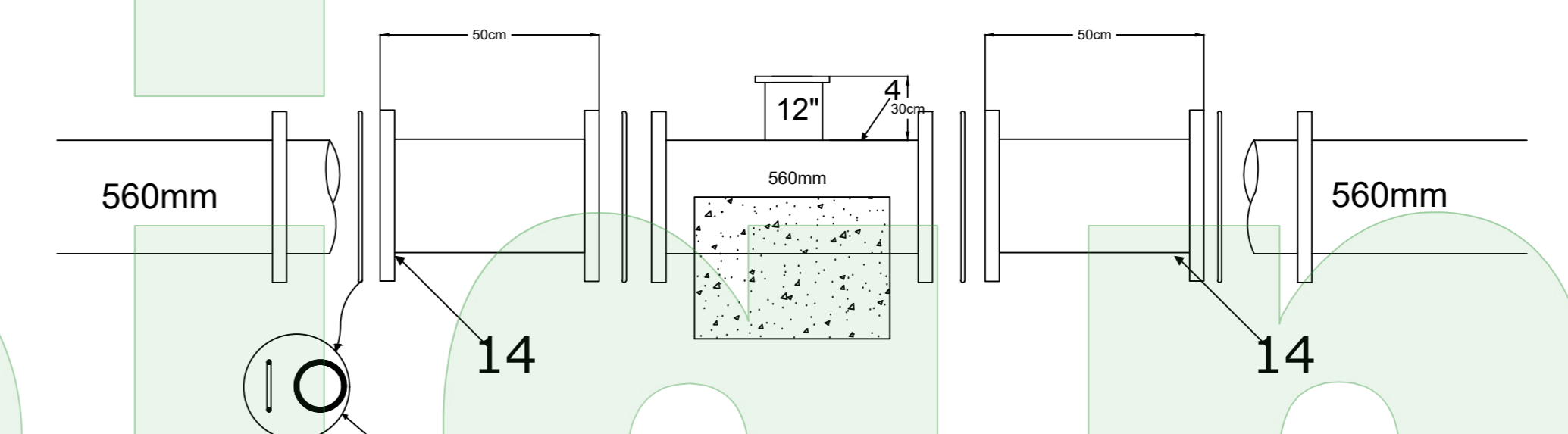
No.	Item
1	Pressure Gauge
2	Gate Valve
3	Air release valve 1"
4	Steel Tee
5	Riser 10"
6	Steel L
7	Flat rubber seal 10"
8	O-ring rubber seal 10"
9	O-ring rubber seal 20"
10	O-ring rubber seal 18"
11	Screws
12	Washer
13	Nut
14	Flange gibault 18"
15	Flange gibault 20"
16	Valve 2" with Bushing
17	Thrust block



Detail F



No.	Item
1	Pressure Gauge
2	Gate Valve
3	Air release valve 1"
4	Steel Tee
5	Riser 12"
6	Steel L
7	Flat rubber seal 12"
8	Flat rubber seal 10"
9	O-ring rubber seal 22"
10	O-ring rubber seal 10"
11	Screws
12	Washer
13	Nut
14	Flange gibault 22"
15	Valve 2" with Bushing
16	Thrust block



Detail H

REV:	DESCRIPTION:	BY:	DATE:
STATUS:	DONE		

CLIENT: **client1**

STAMP:

SITE: **site-single-line**



Irridesigns.
 info@irridesigns.com
 tech.support@irridesigns.com
 www.irridesigns.com

ARCHITECT: **architect1**
architect2
architect3
architect4

TITLE: FARM IRRIGATION MAINLINE DETAILS			
SCALE AT A0:	DATE: 20-04-2023	DRAWN: DRAWN	CHECKED: checked
PROJECT NO: 1755	DRAWING NO: 10004462		REVISION: OK